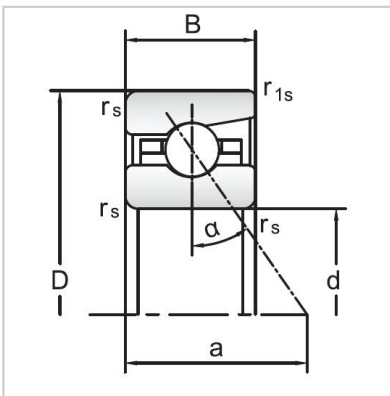
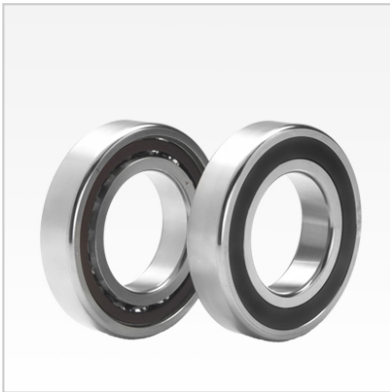


Angular Contact Ball Bearings

70 Series Angular Contact Ball Bearings-7016C



Bearing NO.	7016C
Dimensions(mm)	
d	80
D	125
B	22
ramin	1.1
r1min	0.6
Mounting dimensions	
da min	88
Da/Db max	117
ra max	1.1
rb max	0.6
Loading kN	
Cr	61.6
Cor	70.4
Limited Speed r/min	
Lub.	10000
Oil.	17000
Prelaoding N	
A(L)	330
B(M)	990
C(H)	1980
Axial rigidityRa N/μm	
A(L)	78
B(M)	113
C(H)	144
Weight Kg ≈	0.83