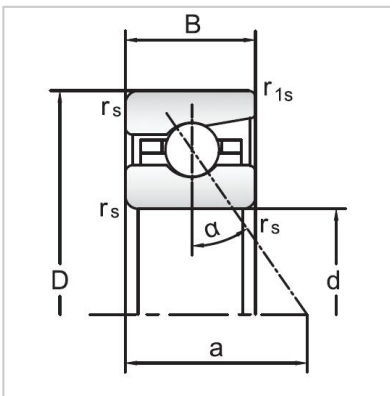
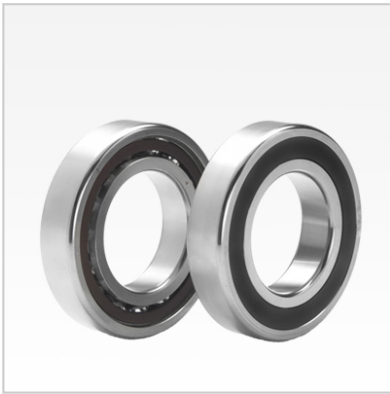


## Angular Contact Ball Bearings

### 70 Series Angular Contact Ball Bearings-7016AC



Bearing NO.	<b>7016AC</b>
Dimensions(mm)	
d	80
D	125
B	22
ramin	1.1
r1min	0.6
Mounting dimensions	
da min	88
Da/Db max	117
ra max	1.1
rb max	0.6
Loading kN	
Cr	58.3
Cor	66.9
Limited Speed r/min	
Lub.	9000
Oil.	15000
Prelaoding N	
A(L)	525
B(M)	1570
C(H)	3140
Axial rigidityRa N/μm	
A(L)	209
B(M)	294
C(H)	369
Weight Kg ≈	0.83