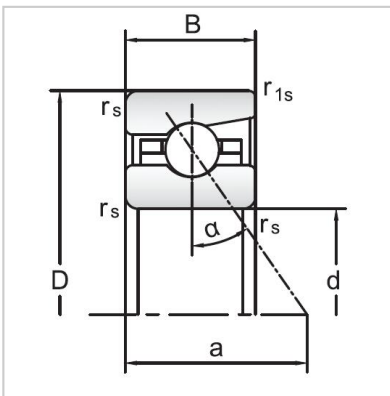
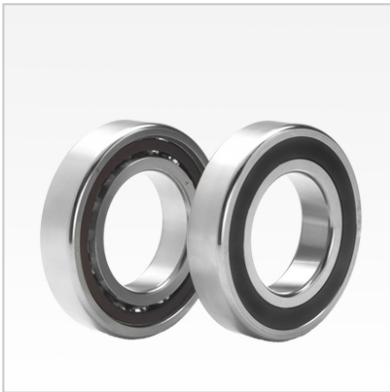


## Angular Contact Ball Bearings

### 70 Series Angular Contact Ball Bearings-7015AC



Bearing NO.	<b>7015AC</b>
Dimensions(mm)	
d	75
D	115
B	20
r <sub>amin</sub>	1.1
r <sub>lmin</sub>	0.6
Mounting dimensions	
da min	82.5
Da/Db max	108
ra max	1.1
rb max	0.6
Loading kN	
Cr	48.5
Cor	56.2
Limited Speed r/min	
Lub.	9500
Oil.	16000
Prelaoding N	
A(L)	435
B(M)	1300
C(H)	2600
Axial rigidityRa N/μm	
A(L)	197
B(M)	276
C(H)	346
Weight Kg ≈	0.62