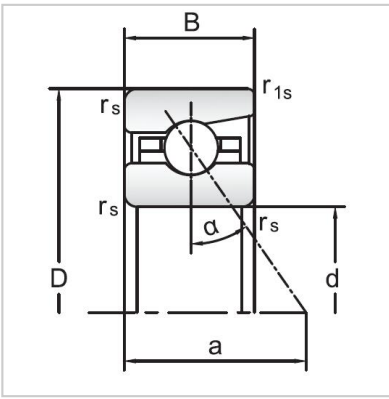
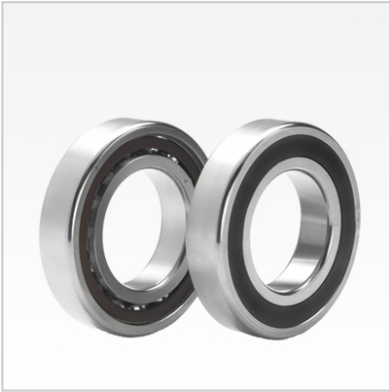


Angular Contact Ball Bearings

70 Series Angular Contact Ball Bearings-7014C



Bearing NO.	7014C
Dimensions(mm)	
d	70
D	110
B	20
r _{amin}	1.1
r _{lmin}	0.6
Mounting dimensions	
da min	77.5
Da/Db max	103
ra max	1.1
rb max	0.6
Loading kN	
Cr	49.9
Cor	55.5
Limited Speed r/min	
Lub.	12000
Oil.	19000
Prelaoding N	
A(L)	270
B(M)	810
C(H)	1620
Axial rigidityRa N/μm	
A(L)	70
B(M)	102
C(H)	129
Weight Kg ≈	0.59