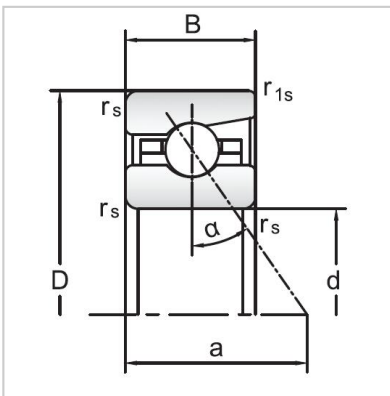
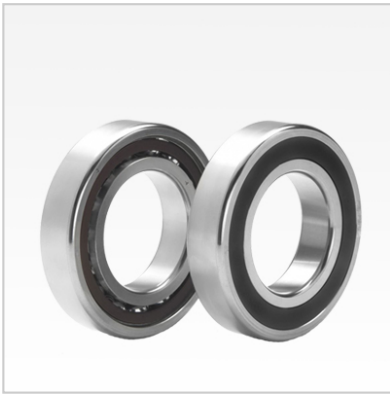


## Angular Contact Ball Bearings

### 70 Series Angular Contact Ball Bearings-7009C



Bearing NO.	<b>7009C</b>
Dimensions(mm)	
d	45
D	75
B	16
ramin	1
r1min	0.3
Mounting dimensions	
da min	50.5
Da/Db max	69.5
ra max	1
rb max	0.3
Loading kN	
Cr	26.7
Cor	25.3
Limited Speed r/min	
Lub.	17000
Oil.	28000
Prelaoding N	
A(L)	140
B(M)	420
C(H)	840
Axial rigidityRa N/μm	
A(L)	46
B(M)	67
C(H)	85
Weight Kg ≈	0.23