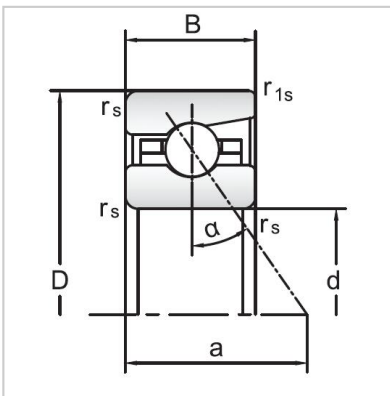


## Angular Contact Ball Bearings

### 70 Series Angular Contact Ball Bearings-7009AC



Bearing NO.	<b>7009AC</b>
Dimensions(mm)	
d	45
D	75
B	16
ramin	1
r1min	0.3
Mounting dimensions	
da min	50.5
Da/Db max	69.5
ra max	1
rb max	0.3
Loading kN	
Cr	25.4
Cor	24.1
Limited Speed r/min	
Lub.	16000
Oil.	26000
Prelaoding N	
A(L)	320
B(M)	690
C(H)	1380
Axial rigidityRa N/μm	
A(L)	123
B(M)	172
C(H)	216
Weight Kg ≈	0.23