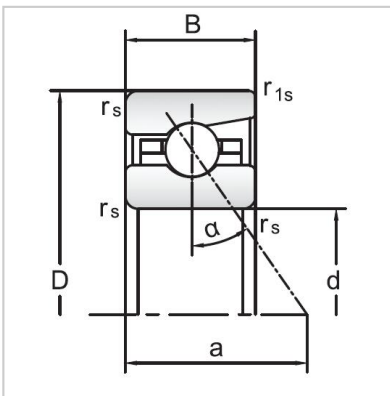
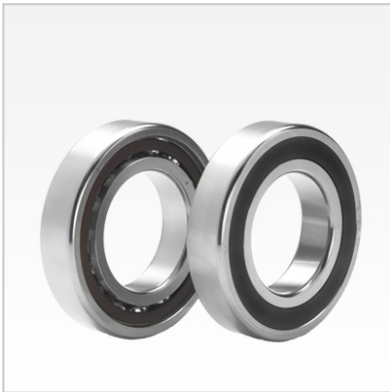


Angular Contact Ball Bearings

70 Series Angular Contact Ball Bearings-7008C



Bearing NO.	7008C
Dimensions(mm)	
d	40
D	68
B	15
ramin	1
r1min	0.3
Mounting dimensions	
da min	46
Da/Db max	62
ra max	1
rb max	0.3
Loading kN	
Cr	19.9
Cor	19.1
Limited Speed r/min	
Lub.	19000
Oil.	32000
Prelaoding N	
A(L)	105
B(M)	310
C(H)	620
Axial rigidityRa N/μm	
A(L)	41
B(M)	59
C(H)	75
Weight Kg ≈	0.19