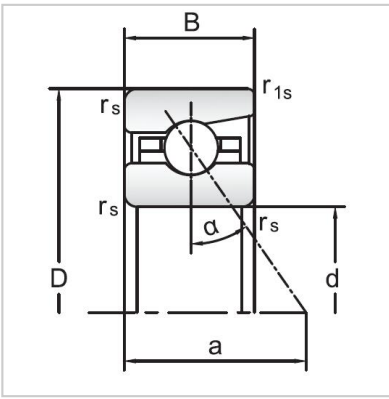
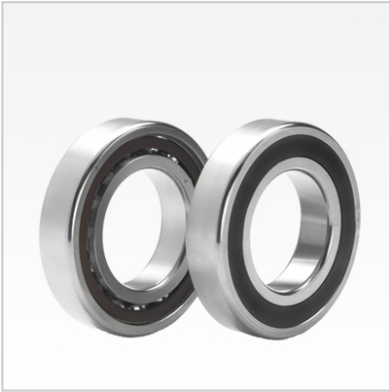


## Angular Contact Ball Bearings

### 70 Series Angular Contact Ball Bearings-7008AC



Bearing NO.	<b>7008AC</b>
Dimensions(mm)	
d	40
D	68
B	15
ramin	1
r1min	0.3
Mounting dimensions	
da min	46
Da/Db max	62
ra max	1
rb max	0.3
Loading kN	
Cr	18.9
Cor	18.2
Limited Speed r/min	
Lub.	17000
Oil.	28000
Prelaoding N	
A(L)	170
B(M)	510
C(H)	1020
Axial rigidityRa N/μm	
A(L)	109
B(M)	153
C(H)	193
Weight Kg ≈	0.19