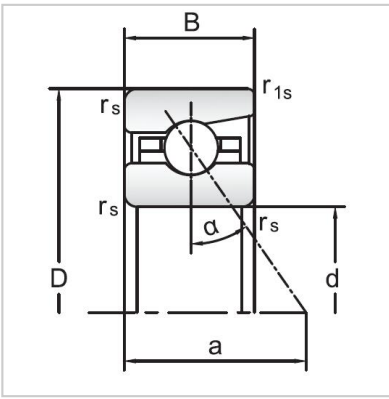
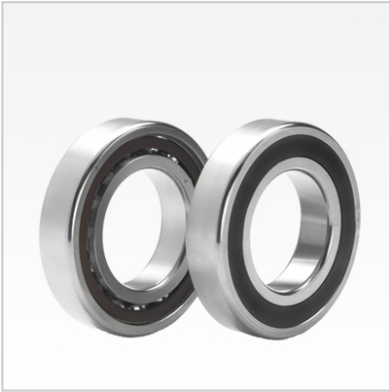


Angular Contact Ball Bearings

70 Series Angular Contact Ball Bearings-7006C



Bearing NO.	7006C
Dimensions(mm)	
d	30
D	55
B	13
ramin	1
r1min	0.3
Mounting dimensions	
da min	34.5
Da/Db max	50.5
ra max	1
rb max	0.3
Loading kN	
Cr	15.7
Cor	11.6
Limited Speed r/min	
Lub.	28000
Oil.	43000
Prelaoding N	
A(L)	80
B(M)	240
C(H)	480
Axial rigidityRa N/μm	
A(L)	35
B(M)	50
C(H)	63
Weight Kg ≈	0.11