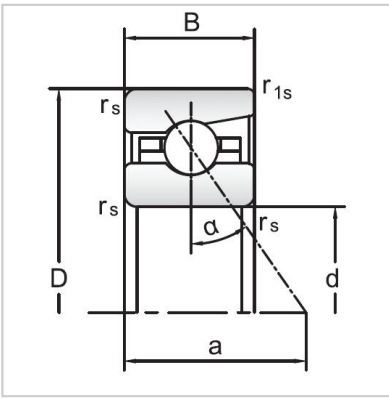
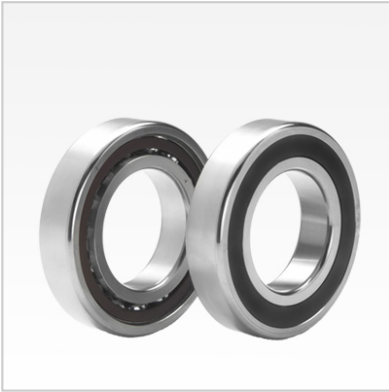


Angular Contact Ball Bearings

70 Series Angular Contact Ball Bearings-7004AC



Bearing NO.	7004AC
Dimensions(mm)	
d	20
D	42
B	12
r _{amin}	0.6
r _{lmin}	0.15
Mounting dimensions	
da min	24.5
Da/Db max	37.5
ra max	0.6
rb max	0.15
Loading kN	
Cr	9.2
Cor	6
Limited Speed r/min	
Lub.	34000
Oil.	50000
Prelaoding N	
A(L)	80
B(M)	240
C(H)	480
Axial rigidityRa N/μm	
A(L)	64
B(M)	90
C(H)	113
Weight Kg ≈	0.06