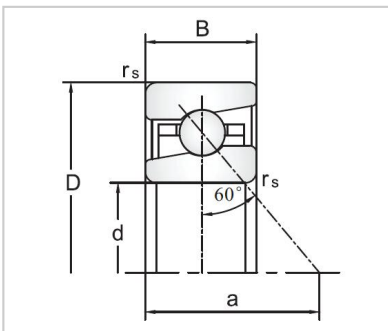


## Angular Contact Ball Bearing

### 76030 Ball Screw Support Angular Contact Ball Bearings-7603055TVP



Bearing No.	<b>7603055TVP</b>
Dimensions	
D	<b>55</b>
d	120
B	29
R	2
a	90
Mounting dimensions	
da	77
Da	101
Ra	2
Loading	
Ca	78
Coa	146
RPM	
Lub.	4800
Oil	6300
Prelaoding	8.8
Stiffness	1720
Fam	25
Friction	460
Fat content	20
Weight	1.69

76030 ball screw support bearings can meet the requirements of high precision, high load capacity, high rigidity, low friction, easy installation, maintenance-free or low maintenance screw drive applications. These applications require safe radial and axial support and extremely precise axial guidance of the shaft. Ball screw support bearings have a contact angle of 60°. This type of bearing can withstand high axial forces as well as radial forces. Common pairing methods include DB, DF, DT, etc. This series also has a design with a sealing ring device for easy installation and use by customers. The main principles for selecting screw drive bearings are axial rigidity, load capacity, running accuracy, speed and friction torque. Other factors that need to be considered are the moment rigidity of the bearing configuration or the ability to adapt to the deflection between the shaft and the bearing seat. The requirements for installation and sealing also need to be considered.

Ball screw support bearings can handle heavy axial loads and occasional overloads better than conventional bearing designs. Ball screw support bearings can only bear axial loads in one direction and are therefore matched with a second set of bearings, or mounted in sets. These bearings are standardized for universal matching and can be mounted in sets of up to four

bearings to achieve different bearing configurations and the performance level of a matched bearing set. A unique heat treatment method helps the bearings maintain a constant preload throughout their operating life.

Universally matchable single-way bearings can be configured in different configurations depending on the stiffness and load requirements of the application. If misalignment between bearing positions cannot be avoided, a face-to-face bearing arrangement is recommended. It is less sensitive to misalignment than a back-to-back bearing arrangement. A combination of tandem and face-to-face or back-to-back arrangements is often used to maximize the stiffness or load carrying capacity of a bearing set in one direction. This is the case, for example, when it is necessary to support an extended, preload vertical or cantilevered ball screw drive.

Our company has professional sales and technical engineers who are responsible for providing users with technical consultation, technical services and product technical training on precision bearing data and installation and use. Perfect sales, in-sales and after-sales services constitute a guarantee system for high-quality services, providing users with reliable quality bearing products and creating excellent user experience and rich benefits for every customer.

If you have any questions about products and services, please contact the company's service department directly.