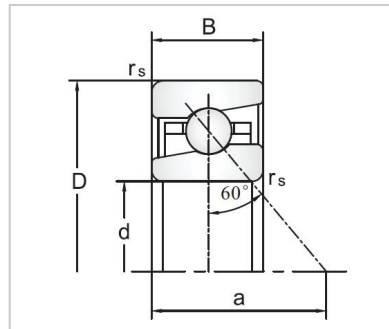


Angular Contact Ball Bearings



76020 Series Ball Screw Support Angular Contact Ball Bearings



Bearing NO.	Dimension(mm)					Assembly Dimension			Loading(KN)		RPM(r/min)		Preload(KN)	Stiffness(N/μm)	Unload(KN)	Friction(Nmm)	Grease filling(g)	Weight(kg)
	d	D	B	Rsmi n	a	da	Da	Ra	Ca	Coa	Lub.	Oil	Fao		Fam	torque	Refer ence quantit y	≈
7602020TVP	20	47	14	1	36	27.5	39.5	1	19.3	25	12000	17000	2.3	700	6.6	50	1.6	0.13
7602025TVP	25	52	15	1	41	32	45	1	22	30.5	11000	16000	2.5	770	7.2	65	2.2	0.16
7602030TVP	30	62	16	1	48	39.5	52.5	1	26	39	9000	13000	2.9	890	8.3	85	3	0.24
7602035TVP	35	72	17	1.1	55	46.5	60.5	1.4	30	50	8000	11000	3.3	1020	9.5	115	4	0.34
7602040TVP	40	80	18	1.1	62	53.5	68.5	1.1	37.5	64	7000	9500	4.3	1180	12	170	5	0.44
7602045TVP	45	85	19	1.1	66	57.5	73	1.1	38	68	6700	9000	4.5	1240	12	190	6	0.5
7602050TVP	50	90	20	1.1	71	63	79	1.1	39	75	6300	8500	4.9	1360	14	230	7.2	0.67
7602055TVP	55	100	21	1.5	78	69.5	86.5	1.5	40.5	81.5	6000	8000	5.6	1390	13	250	8.7	0.75
7602060TVP	60	110	22	1.5	86	77	96	1.5	56	112	5000	6700	6.5	1620	18	350	11	0.96
7602065T	65	120	23	1.5	92	84.5	103.5	1.5	57	122	4800	6000	7	1750	20	440	15	1.32

VP																		
7602070TVP	70	125	24	1.5	96	87.5	108.5	1.5	65.5	137	4500	6000	7	1880	21	480	17	1.45
7602075TVP	75	130	25	1.5	101	93.5	114.5	1.5	67	150	4300	5600	7.6	1880	21	480	17	1.45
7602080TVP	80	140	26	2	108	100	122	2	76.5	175	4000	5300	8.9	2040	25	600	20	1.76
7602085TVP	85	150	28	2	116	107	131	2	86.5	196	3800	5000	10.5	2200	30	760	25	2.19
7602090TVP	90	160	30	2	123	113.5	133.5	2	98	224	3600	4800	11	2270	31	790	30	2.69
7603020TVP	20	52	15	1.1	39	30.5	43.5	1.1	24.5	32	1100	1600	2.9	780	8.3	60	1.9	0.17
7603025TVP	25	62	17	1.1	46	38	52	1.1	28.5	41.5	9000	1300	3.3	910	9.5	85	3.5	0.28
7603030TVP	30	72	19	1.1	53	45	61	1.1	34.5	55	8000	1100	4.3	1070	12	130	5	0.41
7603035TVP	35	80	21	1.5	60	51	67	1.5	36.5	61	7000	9500	4.8	1190	13	170	6.6	0.55
7603040TVP	40	90	23	1.5	68	56.5	75.7	1.5	50	83	6300	8500	5.6	1290	16	225	9.2	0.76

Bearing NO.	Dimension(mm)					Assembly Dimension			Loading(KN)		RPM(r/min)		Preload(KN)	Stiffness(N/μm)	Unload(KN)	Friction(Nmm)	Grease filling(g)	Weight(kg)
	d	D	B	Rsmm	a	da	Da	Ra	Ca	Coa	Lub.	Oil						
7603045TVP	45	100	25	1.5	75	64	85.5	1.5	58.5	104	5600	7500	7	1780	20	300	12	1.02
7603050TVP	50	110	27	2	83	72	94	2	69.5	127	5000	6700	7.6	1600	21	360	16	1.33
7603055TVP	55	120	29	2	90	77	101	2	78	146	4800	6300	8.8	1720	25	460	20	1.69
7603060TVP	60	130	31	2.1	98	82.5	107.5	2.1	88	166	4500	6000	10	1840	28	540	24	2.12
7603065TVP	65	140	33	2.1	105	91.5	118.5	2.1	100	196	4000	5300	12	2050	34	700	29	2.6
7603070TVP	70	160	37	2.1	120	105.5	135.5	2.1	125	255	3800	5000	12	2100	34	760	34	3.16
7603075TVP	75	160	37	2.1	120	105.5	135.5	2.1	125	255	3600	4800	14.5	2330	41	920	41	3.79
7603080TVP	80	170	39	2.1	128	111	143	2.1	137	285	3400	4500	16	2460	46	1100	49	4.5
7603085TVP	85	180	41	3	135	116	151	3	160	325	3200	4300	17.5	2530	50	1250	55	5.29
7603090TVP	90	190	43	3	143	122.5	157.5	3	163	345	3000	4000	18	2650	51	1300	65	6.17